

EchoSonic™ Ultrasonic Level Transmitter

Specifications

Range:	LU05: 2" to 4' (5 cm to 1.2m) LU12: 4" to 9.8' (10 cm to 3m) LU11: 4" to 16.4' (10 cm to 5m) LU13: 8" to 26.2' (20 cm to 8m)
Accuracy:	LU05: 0.125" (3 mm) LU11/12/13: ± 0.2% of span in air
Resolution:	LU05/12: 0.019" (0.5 mm) LU11/13: 0.039" (1 mm)
Beam width:	LU05/12: 2" (5 cm) dia. LU11/13: 3" (7.6 cm) dia.
Dead band:	LU05: 2" (5 cm) LU11/12: 4" (10 cm) LU13: 8" (20 cm)
LED indication:	Power, calib. and diag.
Memory:	Non-volatile
Supply voltage:	12-28 VDC
Loop resist.:	500 Ohms @ 24 VDC
Signal output:	4-20 mA, two-wire
Signal invert:	4-20 mA or 20-4 mA
Calibration:	Target, calibration wire
Fail-safety:	Reverts to 22 mA
Process temp.:	F: -4° to 140° C: -20° to 60°
Temp. comp.:	Automatic
Electronics temp.:	F: -40° to 160° C: -40° to 71°
Pressure:	30 psi (2 bar) @ 25° C., derated @ 1.667 psi (.113 bar) per °C. above 25° C.
Enclosure rating:	50_1: NEMA 6 (IP67) 51_1: NEMA 4X (IP65)
Encl. material:	PC/ABS FR
Trans. material:	PVDF
Cable jacket mat.:	50_1: PP
Cable type:	50_1: 3-cond., shielded
Cable length:	50_1: 10' (3m)
Conduit entrance:	51_1: Dual, 1/2" NPT
Process mount:	LU05/12: 1" NPT (1" G) LU11/13: 2" NPT (2" G)
Mount. gasket:	Viton®
Classification:	General purpose
CE compliance:	EN 61326 EMC



Description

The general purpose two-wire ultrasonic transmitter provides non-contact level measurement up to 26' or 8m, and is well suited for challenging ultrapure, corrosive, slurry or waste liquids. The transmitter is broadly selected for atmospheric bulk storage, day tank, waste sump, process vessel, IBC tote, 55-gallon drum and waste sump applications. Media examples include acetic acid and resin.



Features

- ✓ Simple compact sensor with target calibration and LED status indicator
- ✓ Offered in four measurement ranges up to 8m with 1" and 2" transducers
- ✓ 5 cm minimum beam width for applications with restricted space
- ✓ 5 cm miniature dead band optimizes the filling capacity of small vessels
- ✓ PC/ABS enclosure rated NEMA 6 or NEMA 4X with PVDF transducer
- ✓ Fail-safe intelligence with diagnostic feedback for easy troubleshooting

EchoSonic

Ordering

LU -5 1

Sensor range / size

- 05 1.2m (4') / 1"
- 12 3m (9.8') / 1"
- 11 5m (16.4') / 2"
- 13 8m (26.2') / 2"

Enclosure / termination (1) (2)

- 0 NEMA 6 / cable
- 1 NEMA 4X / conduit

Process mount (3)

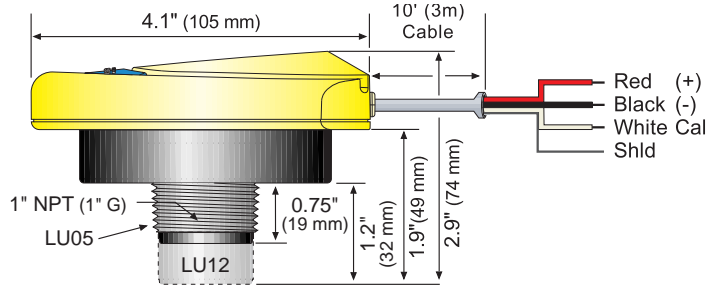
- 0 NPT (US)
- 6 G (Metric)

Ordering Notes

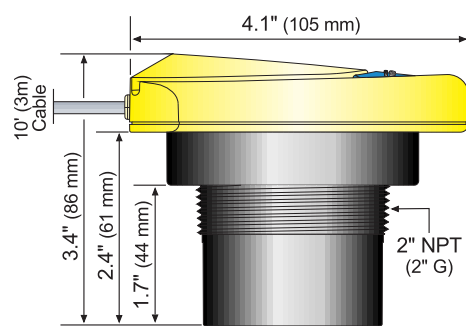
- 1) The NEMA 6 includes a standard 10' (3m) cable. To special order a 25' (7.6m) or 50' (15.2m) cable, place the cable length at the end of the part number (ie: LU12-5001-25).
- 2) The NEMA 4X enclosure has a flip-lid with dual conduit ports and a terminal strip.
- 3) For installation on open tanks, order the LM50-1001-1 (1" NPT) or LM50-1061-1 (1" G) side mount bracket; or order the LM50-1001 (2" NPT) or LM50-1061 (2" G) side mount bracket.

EchoSonic™ Ultrasonic Level Transmitter

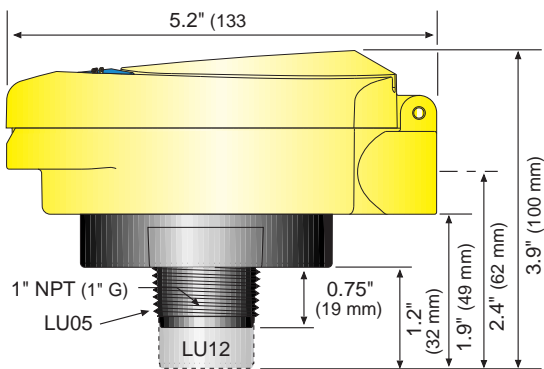
LU05/12-50_1 Side View



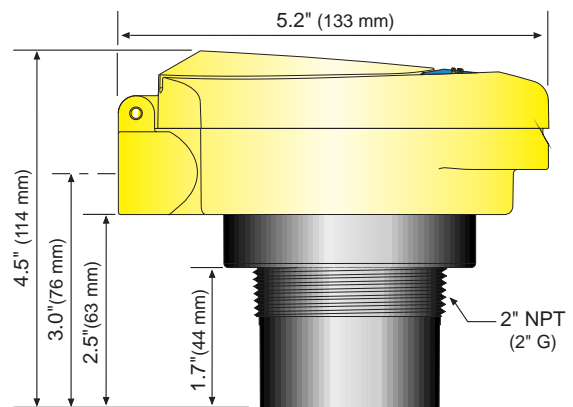
LU11/13-50_1 Side View



LU05/12-51_1 Side View

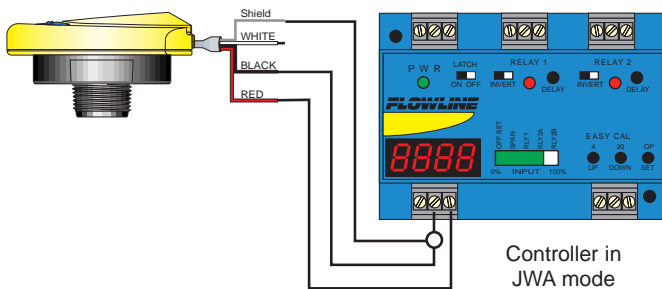


LU11/13-51_1 Side View

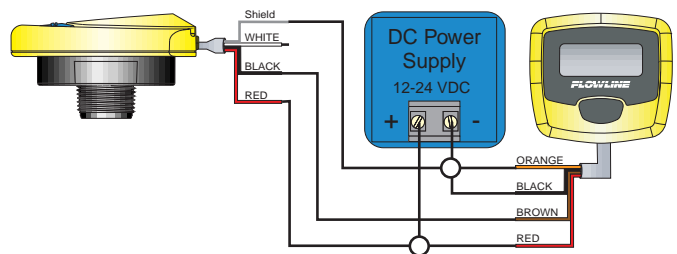


Specifications are subject to change without notice.

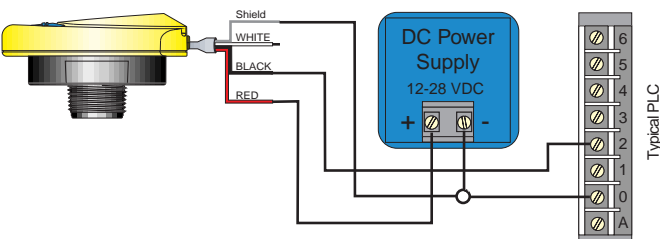
To LC52 Relay Controller



To LI42 MicroPoint Display



To PLC



To LI1_ Universal Panel Meter

